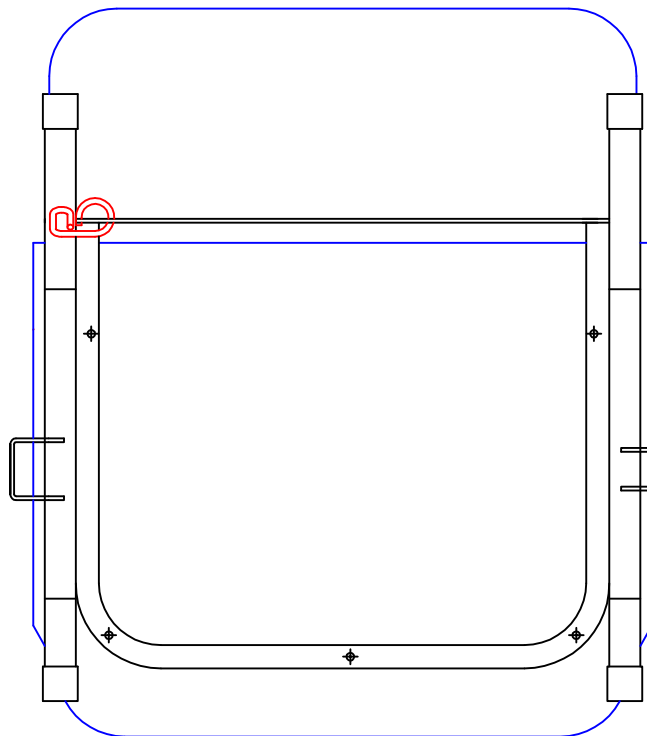
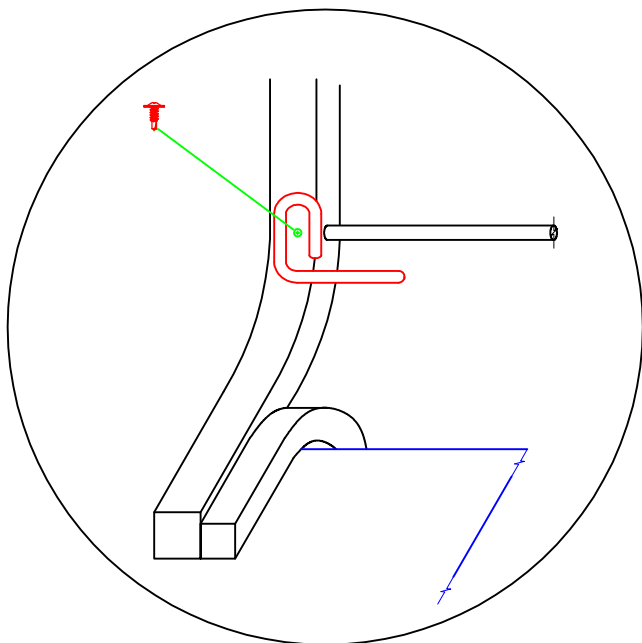


THIS IS NOT AN OFFICIAL DRAWING UNLESS MARKED WITH A CONTROL STAMP IN RED INK.
 NOTES: UNLESS OTHERWISE SPECIFIED

		REVISION			
LTR	ECO NO	DESCRIPTION	DATE	CHK	APVD
		NEW RELEASE	06-24-13		



1. TURN THE CHAIR UPSIDE DOWN WITH THE BACK REST CLOSEST TO YOU.
2. PLACE THE CENTER OF THE SMALLER LOOP ON THE INSIDE FACE OF THE REAR RIGHT LEG TUBE. (ALIGN IN DIRECTION OF THE TORSION BAR)
3. ATTACH THE COMMUNION CUP HOLDER USING THE PROVIDED SCREW. (MAKE SURE THE LARGER LOOP SITS BELOW THE TORSION BAR.)

②

①



TOOLS REQUIRED:
 * DRILL
 * PHILLIPS DRIVER BIT

PROPRIETARY NOTICE

THE DATA CONTAINED HEREIN CONSTITUTES PROPRIETARY INFORMATION OF BERTOLINI INC., AND SHALL NOT BE USED, DUPLICATED OR DISCLOSED IN WHOLE OR IN PART WITHOUT THE PRIOR WRITTEN CONSENT OF BERTOLINI INC.

2	1	T01019	SCREW, WASHER HEAD SELF DRILL #8 x 3/4" L., BLACK
1	1	OP0901	COMMUNION CUP HOLDER, MTL. LOOP, REV B
ITEM	QTY	PART NO	DESCRIPTION
UNLESS OTHERWISE SPECIFIED DIMENSIONS ARE IN INCHES TOLERANCES: X FRACTION 1/4 X FRACTION 1/8 ANGLES ± 1/2° INTERPRET DWG PER DDD-0-1000 SURFACE FINISH: 125 ✓ BREAK SHARP EDGES TO .015 R. OR CHAMFER FILLETS: .015 R. MAX.			
DRAWN		F. FLORES	
DESIGNER		BERTOLINI	
APPROVAL		06-24-13	
MATERIAL		SEE PARTS LIST	
SCALE		NONE	
BERTOLINI INC. 13941 Norton Ave. Unit A Chino, CA 91710			REV. A
TITLE 6304F COMMUNION CUP HOLDER INSTALLATION INSTRUCTIONS			
SIZE	D	DWG NO	6304F - INSTALLATION INSTRUCTIONS
FILENAME	6304F - INSTALLATION INSTRUCTIONS	SHEET	1 of 1